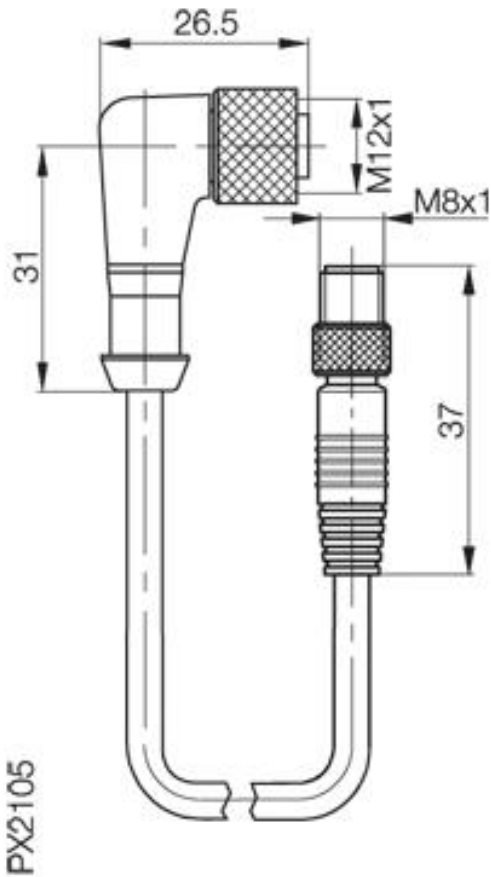


Accessories: Connectors BKS-S 20-4-GS49-PU-



Common Data

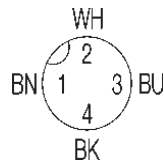
Version	Connector cable , right angle, 3-pin
Usable with	on Sensors with S4 Connector (M12, DC, PNP, NO)
Manufacturer	Lumberg
Ambient temperature	-25°C...+80°C

Mechanical Data

Measurements WxHxD or Dia x D	27x31x14 + 37xØ10
Material	Housing Polyester TPU
Protection class per IEC 60529	IP67
Cable version	fully potted, Li9YH-11YH
Conductor cross section	3 x 0,34mm ²

Electrical Data

Supply voltage	10...30V DC
----------------	-------------



Datasheet number::

Definitions see general catalog.
If not otherwise noted, ratings according to IEC 60947-5-2 (DIN EN60947-5-2)

Balluff GmbH
Schurwaldstrasse 9
73765 Neuhausen a.d.F.
Phone (07158) 173-0 Fax (07158) 5010

Datenblatt by CD-ROM - 04/2007

BALLUFF
sensors worldwide